

TOWN OF SKANEATELES

PERMIT GUIDELINES FOR DECKS

- 1) Completed building/zoning permit application including required items 1-5 as listed.
- 2) Set of construction plans to include top and side views showing support posts, mail beams, floor joists, decking, railings, stairs, attachment to structure and height of deck above finish grade. Plans to show all dimensions & spacing of lumber, measurements of stairs, railings and depth of post to frost line. (see structural worksheet for a residential deck permit.)
- 3) All material used for the structure of the deck shall be pressure treated. Framing hardware and fasteners shall be hot-dipped galvanized or stainless steel.
- 4) Decks shall not be attached to house overhangs, cantilevered bay windows, veneers, exterior finishes or chimneys. Siding and any other material on side of house must be removed to allow proper connection of ledger board. Proper flashing is to be installed to prevent water from penetrating into house.
- 5) Ledger board to be connected to house by 1/2" galvanized or stainless steel lag screws staggered to prevent splitting of ledger board.
- 6) Cantilevered ends of joists shall not extend more than 24" beyond the supporting beams unless designed by a licensed design professional.
- 8) Spacing and length of joists to comply with Table R502.3.1 (2) of the Residential Code of NYS and can be viewed online @ www.dos.state.ny.us/code/lr-codes.html. This table is not applicable for beams carrying floor joist loads from two directions or for decks supporting hot tubs or other concentrated loads.
- 9) Deck heights shall be no higher than 1.5" below any threshold or entrance leading into the home.
- 10) Any electrical that is to be installed must be inspected by an electrical inspection agency approved by the Town Board. The following are approved agencies: Commonwealth Electrical Inspection Services or The Inspector.

11) RAILINGS/GUARDS

Railings/Guards are required on decks and elevated areas that are more than 30" above grade and on open sides of stairs with a total rise of more than 30" above the floor or grade below. Railings are to be a minimum of 36" in height and with no more than 4" between balusters and any other spacing associated with the railing. There is a 6' maximum spacing of posts for railings. Railings shall be securely anchored to the deck to withstand loads of 200 per square foot.

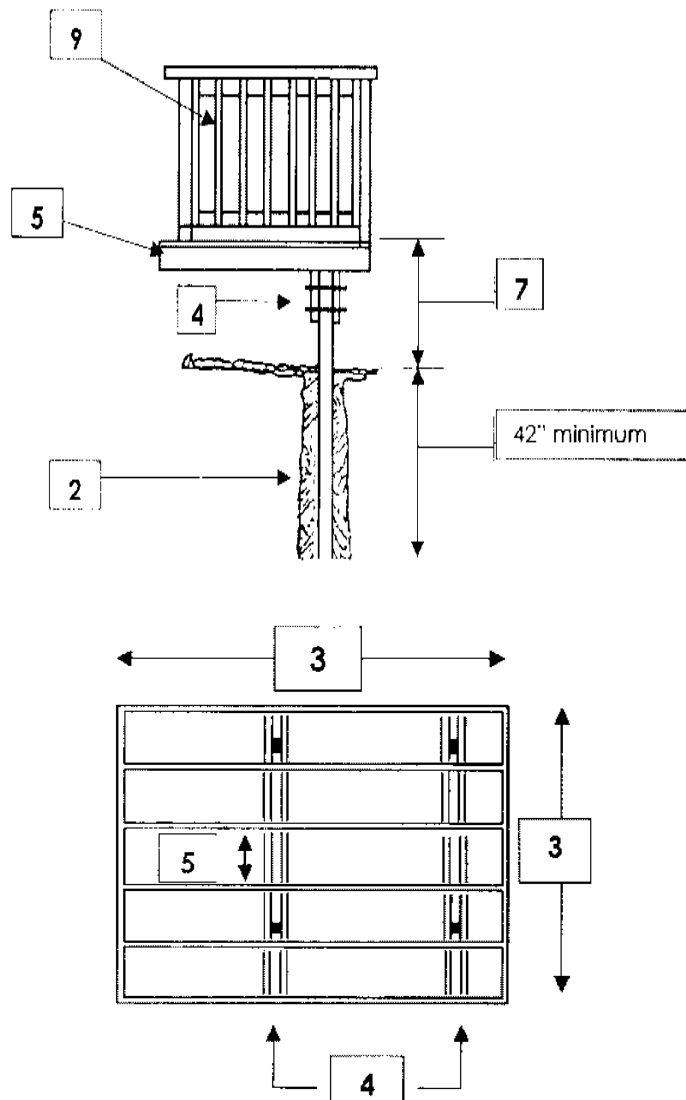
12) STAIRS

Stairs must be at least 36" in width. Treads to be a minimum of 9" in depth and risers a maximum height of 8 1/4". All riser heights within any flight of stairs shall be the same with no more than 3/8" variation. In any part of the stairway over 30" above grade, the riser opening cannot exceed 4". Handrails are required on stairs with more than four risers and must be on at least one side of the stairs. Height of handrails must be at least 34" and not more than 38" in height measured off of stair tread. Handrail grip size: Handrails shall have either a circular cross section with a diameter of 1 1/4" to 2", or a noncircular cross section with a perimeter of at least 4" but not more than 6 1/4" and a largest cross section dimension not exceeding 2 1/4". Edges shall have a minimum radius of 1/8". Handrails must run uninterrupted the length of the stairs and have the ends return to a post or other structural member and must provide grasp ability the entire length of the handrail. A clearance of 1 1/2" to be maintained between the handrail and the railing or house.

This information is to serve as a guide to deck construction only. All deck construction is to be in compliance with the Residential Code of New York State. Decks and gates associated with swimming pools shall meet the requirements of Appendix G of the Residential Code of New York State. Any questions, please call the Codes Enforcement/Planning & Zoning Department at (315)685-1384.

STRUCTURAL REQUIREMENTS FOR A DECK PERMIT

1. Type of Material and Size of Lumber _____
 2. Post Size, Spacing, and Posthole Depth _____
 3. Deck Size (Show all Dimensions) _____
 4. Beam Size, Location & Span _____
 5. Joist Size, Spacing & Span _____
 6. Method of Support next to House _____
 7. Height of Deck Above Ground _____
 8. Steps must have support at bottom.
 9. Show height & spacing of railing. _____
- (Minimum 36" high/maximum 4" between spindles)



Town of Skaneateles Requirements for a Building Permit

Please be advised that it will take approximately 5-10 business days to review a **complete application** to determine compliance with the Town Zoning Ordinance and the New York State Uniform Fire Prevention and Building Code. The review process begins when a **complete application** has been received. The following is required for a **complete application** and failure to submit any of these may result in the delay of your project. Please call the Building and Zoning Department at 685-0833 if you have any questions regarding this.

1. **Original** copy of completed permit application **printed in ink** and **signed by record owner** (proof of ownership may be required).
2. If property is located within the Lake Watershed Overlay District, applicant must submit copies to the City of Syracuse Water Department located at 20 West Genesee Street, Skaneateles. This should be done at the same time submittal is made to the Town. (Please see attached City of Syracuse letter dated 2/11/04)
3. One copy of an original survey map certified within five years of the date of this application showing location of all existing and proposed structures (including decks, porches, fireplaces, etc.), **with front, rear and side setbacks drawn by a licensed surveyor or engineer.** If survey doesn't represent current conditions, re-certification is required. If property has lakefront, the lake line (865.02' – National Geodetic Vertical Datum, 1929) must be shown. Information indicating impermeable surface coverage and open space may be required.
4. One copy of plans of structure and specifications. **If cost of structure is over \$20,000 (materials and labor), NYS architect or professional engineer drawings stamped and signed, are required.**
5. Contractors certificates of insurance or exemption for workers compensation, disability and liability CE-200 (certificate of attestation of exemption) **or** C-105.2, u-26.3 (State Insurance Fund Version) **or** SI-12 **or** GSI-105.2 **or** BP-1 (if homeowner of a 1,2,3, or 4 owner-occupied residence is listed as the general contractor and performing all the work for which the building permit is issued). Please call the Bureau of Compliance at (518) 486-6307 with any general questions regarding the Workers' Compensation Law. Official website – www.wcb.state.ny.us.

If there are no zoning issues that require Zoning or Planning Board approval, a permit is issued and a fee collected. Building permit fees are based on the value of the proposed construction or alteration. Valuation is the anticipated market value of the proposed construction project and includes **all labor and materials** for which the permit is issued. Determination of the value shall be made by the building official based on average construction costs per square foot as established in the Building Valuation Data (BVD) table published by the International Code Council. Fee is \$20 for the first \$1000 plus \$5 per each additional \$1000 of construction value and \$75 for a Certificate of Occupancy.

TOWN OF SKANEATELES

APPLICATION FOR ZONING AND BUILDING PERMIT

FOR TOWN USE ONLY

Date Submitted _____	Tax Map No. _____	Permit No. _____
Date Approved _____	Zoning District _____	Occupancy _____
Date Denied _____	Permit Fee \$ _____	Construction _____
LWOD _____	FPOD _____	_____

Approved By _____

PRINT IN INK OR TYPE CLEARLY AND FILL IN ALL PLACES THAT APPLY

Application is hereby made to the Code Enforcement Officer for the issuance of a Zoning and Building Permit pursuant to all applicable codes, ordinances and laws regulating and governing the erection, construction, enlargement, addition, alteration, repair, replacement, improvement, removal, demolition, conversion and/or change in the nature of the occupancy of any building or structure within the boundaries of the Town of Skaneateles.

1. Name of Property Owner: _____

Address: _____ Zip: _____

Home Phone: _____ Daytime Phone: _____ Other: _____

2. Address of Property: _____

Tax Map Number: _____

3. Name of Applicant for Permit: _____

Address: _____ Zip: _____

Home Phone: _____ Daytime Phone: _____ Other: _____

4. Architect or Engineer of Record: _____

Address: _____ Zip: _____

Daytime Phone: _____

5. General Contractor/Construction Manager: _____

(If OWNER doing **all** work under this Permit Application check here)

Address: _____ Zip: _____

Phone: _____ Cell Phone or Other: _____

(Contractor to attach a copy of Certificate of Insurance including liability, worker's compensation and disability insurance or NYS exemption certificate.) Please see the attached memo from Codes Enforcement Office about Insurance requirements.

6. **NATURE OF WORK (check all that apply):**

- | | | |
|--|-------------------------|-----------------------|
| New Structure | Addition | Alteration/Repair |
| Deck/Patio | Demolition/Removal | Fireplace/Stove |
| Move Building | Shed | Chimney |
| Sign | Shoreline Structure | Swimming Pool/Hot Tub |
| Fence/Berm/Wall | Add impermeable surface | |
| Conversion of seasonal residence to year round residence | | |
| All others _____ | | |

7. **Estimated total valuation of construction:** \$ _____
 (Include estimated **value** of all work, materials and labor for the work under this application.)

8. **DESCRIPTION OF PROJECT:**

Set forth a narrative description of the proposed project. Describe **in detail** the work to be done and/or the proposed use, including use and size of all items checked in number 6 above. If the space allowed is insufficient, attach addendum sheets as may be necessary:

9. Will there be any electrical or plumbing work associated with this project?
 Yes No

10. **ZONING INFORMATION:**

1. Area of lot _____ (1 acre =43,560 square feet)
2. Site affected by flood plain? Yes No
3. Site is in the Skaneateles Lake Watershed? Yes No
4. Site is in the Owasco Lake Watershed? Yes No
5. Is proposed project within 100 feet of the mean lake line? Yes No
6. Are there any slopes:

exceeding 12%?	Yes	No
exceeding 30%?	Yes	No
7. Is there any stream, pond, lake or drainage channel located on or within 200 feet of property? Yes No
8. Are there any easements on the property? Yes No
9. Are there any wetlands on the property? Yes No

Building Information	Existing Structure	Proposed Structure/Addition
Principal Building: total floor space	SF	SF
Attached Garage	SF	SF
Attached Decks and Porches	SF	SF
Accessory Buildings: List all detached buildings and the use (storage, shop, animals, etc)	SF	SF
	SF	SF
	SF	SF
Total of all structures	SF	SF
Number of Bedrooms		
Number of Bathrooms		
Number of Fireplaces		
Finished basement	SF	SF
Building Height (measured from the average finished grade of the perimeter of the house to highest point of roof)	FT	FT

11. PROPERTY USE (see Town Code §148-8 for allowable uses)
Current (ie: one-family/office/retail/etc.): _____
Proposed: _____

12. OTHER:
- A. The applicant shall notify the Codes Enforcement office of any changes in the information contained in the application during the period for which the permit is in effect. A permit will be issued when the application has been determined to be complete and when the proposed work is determined to conform to the requirements of the Code of the Town of Skaneateles, New York and NYS Uniform Fire Prevention and Building Code. The authority conferred by such permit may be limited by conditions.
 - B. A building permit may be suspended or revoked if it is determined that the work to which it pertains is not proceeding in conformance with the Code of the Town of Skaneateles, the NYS Uniform Fire Prevention and Building Code or with any condition attached to such permit, or if there has been a misrepresentation or falsification of a material fact in connection with the application for the permit.
 - C. A building permit shall expire 18 months from the date of issuance or upon the issuance of a Certificate of Occupancy (other than a temporary Certificate of Occupancy) whichever comes first.

CERTIFICATION

The undersigned hereby affirms under the penalty of perjury that to the best of his/her knowledge and belief the information given and accompanying this application is accurate and true. The undersigned represents and agrees as a condition to the issuance of these permits that the development will be accomplished in accordance with the Town Zoning Law, the New York State Uniform Fire Prevention and Building Code and the plans and specifications annexed hereto.

PERMIT CANNOT BE ISSUED WITHOUT PROPERTY OWNER SIGNATURE.

Owner's Signature: _____ Date: _____

Print name: _____

Applicants Signature (if different): _____ Date: _____

Lot Coverage Calculation Worksheet

OPEN SPACE – An area of land not developed with structures and used for recreation, agriculture, lawn or forestry or left in its natural state.

IMPERMEABLE SURFACE – Any roofed or other solid structure or material covering the ground through which water does not readily penetrate, including, but not limited to concrete, oil and stone, tar or asphalt pavement or compacted gravel. Regardless of the construction materials, any area, which is used for driveway or parking purposes, including disturbed grass, ground cover, or dirt, shall be considered impermeable. A deck with spaced boards at least 1/8 inch apart, a swimming pool surface, and a patio with a permeable paving system shall not be considered impermeable.

IMPERMEABLE SURFACE COVERAGE – The ratio between impermeable surface and total land area of a lot expressed as the percentage of land covered by impermeable surfaces.

IMPERMEABLE SURFACES	EXISTING	PROPOSED
House	SF	SF
Accessory Structures	SF	SF
Driveway***	SF	SF
Concrete Pads or Sidewalks	SF	SF
Other**	SF	SF
Total Impermeable Surfaces	(a) SF	(c) SF
Total % of Impermeable Surface Coverage (Total Impermeable surfaces ÷ Lot area = % impermeable surface]	%	%

PERMEABLE SURFACES	EXISTING	PROPOSED
Swimming Pool Surface	SF	SF
Wood Deck w/Spaced Boards	SF	SF
Open joint Patio & Walks	SF	SF
Other – Paving Systems	SF	SF
Total Permeable Surfaces	(b) SF	(d) SF

OPEN SPACE CALCULATION	EXISTING	PROPOSED
Total Lot Coverages (Impermeable + Permeable)	(a+b) SF	(c+d) SF
*Lot Area (in Square Feet. An acre = 43,560 SF)	SF	SF
Total % Open Space [(total lot coverage) ÷ lot area = Total Coverage %. 100% - Total Coverage % = % of open space]	%	%

* Lot area must be calculated to the road boundary or right-of-way, not the centerline. In the case of lakefront property, the area must be calculated to the mean lake line elevation of 865.02'-NGVD.

** Storage sheds, detached garages, pole barns, etc.

*** All driveways must be calculated as impermeable

To All Building Permit Applications
City of Syracuse Water Department

Pursuant to the Skaneateles Watershed Rules and Regulations, the Syracuse Water Department must be notified of any building permit applications and proposed construction activities prior to commencement of the action. A Sediment and Erosion Control Plan may also be necessary. The two sections below describe the requirements.

Requirement to Submit Building Permit Application

Copies of permit applications for proposed building activities that involve land or shoreline disturbance within the watershed shall be forwarded to the Syracuse Water Department, by the applicant, at the same time it is submitted to the agency having jurisdiction.

Notification shall be at the earliest stages of the application process including an informal or formal pre-application review state (i.e. preliminary sketches, drawings, proposals, etc.) for any proposed activities so as to allow the Syracuse Water Department to be included in the review of any proposed activities within the watershed at the initial planning stages. Where applicable, any comments by the Syracuse Water Department must be submitted within the statutory or procedural time frames of the permitting agency. Copies of all permits issued shall be sent to the Syracuse Water Department by the applicant.

Requirement to Submit An Erosion/Stormwater Control Plan

Copies of the erosion/stormwater control plans must be submitted to the Syracuse Water Department by the applicant at least 10 business days prior to undertaking any land disturbance activity.

Land Disturbing activities, including, but not limited to, general construction, highway construction and maintenance, and silviculture, and which expose 5,000 or more square feet of soil (i.e. vegetation has been removed, or the landscape has been graded or filled resulting in bare soil surfaces) are prohibited within an environmentally sensitive area defined above in except where measures have been put in place to prevent erosion and sediment production as outlined in the various publications (listed below).

The proposed measures shall be in the form of a written description and site plan showing the design criteria, location and type of proposed control structures, sequence of actions, etc., including construction details.

The term environmentally sensitive area shall be defined as those areas that meet any or all of the following criteria:

- < land within 300 feet of the lake or watercourse,
- < areas with slopes greater than 15%,
- < within 300 feet of or within areas defined by the NYSDEC as wetlands,
- < soils that are highly erodible, where highly erodible is defined as: areas with soils that pose a high risk of erosion, or severe limitations on structure or sewage disposal system construction, and are identified as lands with some or all of the following conditions:
 - < shallow soils; <2 foot depth to bedrock or fragipan,
 - < high seasonal ground water table (<3 feet),
 - < soils that are either poorly drained and/or highly permeable soils,
 - < soils that are either excessively drained and/or highly permeable soils,
 - < soils underlain or intersected by easily softened and mobile layers, especially silts and clays, which may be evidenced by outcrop or recent instability

Manuals and Guidelines

New York State Stormwater Management Design Manual=(February 2002) prepared by the Center for Watershed Protection

New York Guidelines for Urban Erosion and Sediment Control*(April 1997), published by the Soil and Water Conservation Society

Construction Management Practice Catalogue for Nonpoint Source Pollution Prevention and Water Quality Protection in New York State*(November 1992), published by the Bureau of Water Quality Management, Division of Water, NYSDEC

Silviculture Management Practice Catalogue for Nonpoint Source Pollution Prevention and Water Quality Protection in New York State*(October 1993) published by the Bureau of Water Quality Management, Division of Water, NYSDEC

Mailing Address

City of Syracuse Water Treatment Plant
20 W. Genesee St.
Skaneateles, NY 13152

315-685-6486
315-685-8160 (FAX)

February 11, 2004